

Screwdriver - SZF 1-0,6X3,5 - 1204517

Please be informed that the data shown in this PDF Document is generated from our Online Catalog. Please find the complete data in the user's documentation. Our General Terms of Use for Downloads are valid (<http://phoenixcontact.com/download>)




Actuation tool, for ST terminal blocks, also suitable for use as a bladed screwdriver, size: 0.6 x 3.5 x 100 mm, 2-component grip, with non-slip grip

Your advantages

- In addition to its standard application, this screwdriver is also ideal for actuating ST ... and QTC ... modular terminal blocks

Key Commercial Data

Packing unit	10 pc
GTIN	 4 017918 018948
GTIN	4017918018948

Technical data

Dimensions

Length (b)	181 mm
Width (a)	26 mm
Blade thickness	0.6 mm
Blade width	3.5 mm
Blade height	100 mm
Wrench size	0 mm

General

Type	Bladed
Material	alloyed tool steel
Test standard	DIN/ISO 2380-1
Weight	34 g

Standards and Regulations

Test standard	DIN/ISO 2380-1
---------------	----------------

Environmental Product Compliance

California Proposition 65	Further information on California's prop. 65 is available under "Downloads" in the manufacturer's declaration
---------------------------	---

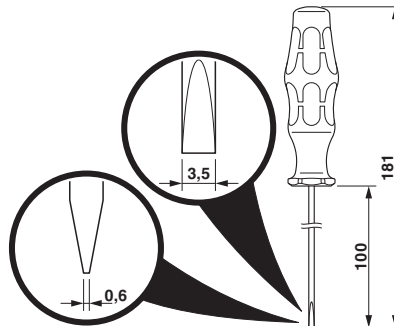
Drawings

Screwdriver - SZF 1-0,6X3,5 - 1204517

Pictogram



Dimensional drawing



Approvals

Approvals

Approvals

EAC

Ex Approvals

Approval details

EAC		RU x- DE.xx08.B.02974
-----	--	--------------------------

Phoenix Contact 2019 © - all rights reserved
<http://www.phoenixcontact.com>

PHOENIX CONTACT GmbH & Co. KG
Flachsmarktstr. 8
32825 Blomberg
Germany
Tel. +49 5235 300
Fax +49 5235 3 41200
<http://www.phoenixcontact.com>